


HMT LIMITED,
AUXILLARY BUSINESS DIVISION
JALAHALLI, BENGALURU - 560 013

Dated: 23.12.2021

Corrigendum 1: Extension of last date of bid submission for NIT

With reference to NIT HMTL/ABDB/PUR/CASE/22/2021-22 issued by HMT Limited, Auxiliary Business Division Bangalore, on 07.12.2021, all prospective Bidders are hereby informed that the last date of bid submission for NIT is extended and details are as follows:

Particulars	Original date	Revised date
Bid submission closing date	2.00 PM on 22.12.2021	2.00 PM on 29.12.2021
Bid opening date	2.30 PM on 22.12.2021	2.30 PM on 29.12.2021

Note: - All Terms and Conditions remain same as per the above mentioned NIT.

DE (MM)
ABD Bangalore



Report ID: GEM/GARPTS/11112021/0ZD8T98S84WJ

Report Name: Watch case assembly

Generated By: Chandrashekhar Myageri , Department of Heavy Industry , Ministry of Heavy Industries and Public Enterprises

Generated On: 11/11/2021

Valid till: 11/12/2021

GeM Availability Report and Past Transaction Summary

GeM Availability Report and past transaction summary report is generated based on the specifications searched by the Buyer. The specification may be modified appropriately for searching relevant categories on GeM. Buyer may navigate to GeM category page by clicking on the category link to view category specifications and products/services available in the category.

Order Count and Order Value displayed is on a cumulative basis since GeM inception.

1. Search String: Watch case assembly

Search type: Product

1. There are categories available on GeM matching your requirements (as listed here). You can create a bid on GeM with a product closest matching your required specifications and add additional parameters in specifications through Corrigendum using RMS functionality.
2. If you feel that category TP needs updating you can submit category updating request also through RMS.
3. If you do not want to use any of the above option and want to proceed for procurement outside GeM, please suggest the specifications of the required product for creation of new category on GeM for future procurement.

Search Result: Category available/suggested on GeM but marked as "not matching requirements" by the buyer with undertaking as under:

It is certified that I have thoroughly checked all probable categories suggested by GeM and I am satisfied that the product required is not covered / does not fall in any of the suggested categories and can not be procured under any of these categories even after inclusion of List of Values(LOV) wherever possible in category specifications of suggested categories. It is also certified that the technical specification requirement are such that these can not be covered even by adding specification parameters using ATC in any of the GeM suggested categories. This is a one-time requirement hence new category creation is not proposed / or requirement is recurring but request for new category creation will be submitted separately post generation of GeMARPTS.

Category Name	Catalog Count	Order Count			Order Value (in Lakhs)		
		Direct Purchase	Reverse Auction	Bid	Direct Purchase	Reverse Auction	Bid
Stop Watch	174	2,773	6	45	139	39	7
Molded Case Circuit Breakers (Mccb)- IS/IEC:60947	4,039	11,135	68	1,148	6,249	87	804
Case (Defence)	3	29	0	0	1	0	0
Vehicle Lift	131	282	6	9	232	624	756
Show Case	166	296	3	35	96	1	50
Wooden Book Case	1,413	2,429	5	81	1,235	16	140
Case Board	2	6	2	0	0	30	0
Tablet Based Digital Monitoring and Attendance System	155	293	2	14	202	730	112
Sorting Case	13	1	0	3	3	0	4
heated display cases-hot case	796	5,868	30	386	1,568	23	464



HMT LIMITED

Auxiliary Business Division,
Jalahalli, Bengaluru – 560013.

Phone: 080-28381320, 23456965,

GSTIN: 29AAACH7073D2ZL

E-Mail: watches@hmtindia.com Web: www.hmtindia.com

NIT REF.NO.: HMTL/ABDB/PUR/CASE/22/2021-22

Date: 07.12.2021

NOTICE INVITING TENDER FOR SUPPLY OF

Watch Case Assembly of Sougandh in 03 different coatings
(As per Section 4 enclosed Specifications/ Drawings)
(Including Standard Parts).

CONTENTS/INDEX

PARTICULARS		Page Number	No of Pages
Notice Inviting Tender		1	01
Section 1	Tender Details and Schedule	2	01
Section 2	General Information	3-4	02
Section 3	Terms & Conditions of the Tender	5-6	02
Section 4	Price Bid, Technical Specifications and Drawings	7- 10	04
Total No of Pages			10

Deputy Engineer (MM)



HMT LIMITED

(A Govt. of India Undertaking)

Auxiliary Business Division

Jalahalli, Bengaluru-560013

Phone: 080- 28381320, 23456965 GSTIN: 29AAACH7073D2ZL

E Mail: watches@hmtindia.com, hmtwatches5@gmail.com; Web: www.hmtindia.com

NIT REF.NO.: HMTL/ABDB/PUR/CASE/22/2021-22

Date:07.12.2021

Section 1: Tender Details and Schedule

Tender for Supply of

Watch Case Assembly of Sougandh in 03 different coatings

(As per Section 4 enclosed Specifications/Drawings)

(Including Standard Parts).

Date of issue of Tender Document	: From 07.12.2021 to 21.12.2021 (9.00 AM to 4.00PM on all working days)
Last Date for receipt of sealed Tender	:22.12.2021, TIME 14.00 HRS
Date & Time of Tender Opening	:22.12.2021, TIME 14.30 HRS
Place of Tender Opening	: Office of Deputy Engineer (MM), HMT LTD, ABD, Jalahalli, Bangalore -560013
Website to Download Tender Document	: www.hmtindia/Tenders www.eprocure.gov.in

Deputy Engineer (MM)

Section 2: GENERAL INFORMATIONS

1. HMT Limited, ABD invites tenders for Supply of **Watch Case Assembly of Sougandh in 03 different coatings (As per Section 4 enclosed Specifications/ Drawings) (Including Standard Parts).**
2. Tender documents can be collected personally from the office of Deputy Engineer(MM), HMT Limited, Auxiliary Business Division (ABD), Jalahalli, Bangalore-560013 on all working days from 07.12.2021.
3. Tender documents can also be downloaded from HMT Website www.hmtindia.com/tenders. or www.eprocure.gov.in
4. The bidders are required to quote their rates in the "PRICE BID" format on their letter head. Completely filled PRICE BID and signed Tender document only should be put in the TENDER COVER.
5. **The Tender cover shall be properly sealed all along joints. Tenders received in envelopes which are not sealed properly or only stapled, Incomplete & Conditional offer will not be accepted.**
6. The Bidders shall submit Tenders in sealed cover super scribed with:
 - a. Tender for supply of watch case assembly of Sougandh in 03 different coatings
 - b. Tender Reference No and Date
 - c. Address of the Bidder
7. Out Station Tenderers may submit tenders through Speed Post/Registered Post, so as to reach the below address well before the stipulated time and date, for the purpose of consideration.

Deputy Engineer (MM)
HMT Limited,
Auxiliary Business Division,
Jalahalli, Bengaluru - 560 013.
8. Tenders received after prescribed date & time will be treated as late tender and shall not be accepted.
9. **Tenders/Quotations received via E Mail/Fax etc will not be accepted.**
10. Tenders shall be filled neatly, legibly and without any overwriting or erasures. In case of overwriting, the same shall be attested by initials of the bidder.
11. Tender documents should be complete in all respect. All columns shall be filled. Bidders are required to sign all pages of the tender.

12. Corrigendum(s) if any shall only be posted on Company Website: www.hmtindia.com/tenders, and will not be notified through press advertisement.

13. Tenders shall be opened at Deputy Engineer (MM)'s office at the indicated time at HMT Limited, ABD, Jalahalli, Bangalore-560013. **Tenderer or their authorized representatives may remain present at the time of opening of the tender.**

14. HMT Ltd, ABD reserves the right to accept or reject any or all tenders without assigning any reason whatsoever.

15. HMT Ltd, ABD reserves the right to increase or decrease the quantity of supply, cancel /short close the order due to non-satisfactory performance by any of the service/ supply offered. Cost/damages arising out of such cancellation/short closure shall have to be borne by the bidder.

16. The bidders are requested to go through the Tender Document carefully. Quoting for the tender implies the bidder accepts the terms and conditions.

17. Any person who has filed any case or raised any litigation against the company, which is pending before any court is not eligible to apply for the tender.

For HMT LIMITED
Auxiliary Business Division

Deputy Engineer (MM)

SIGNATURE OF THE TENDERER WITH SEAL

DATE:

Section 3: Terms and Conditions of the Tender

Validity of Offer

The offer should be valid for a minimum period of one year from the date of issue purchase order.

Bid Validity

Validity of the bid shall be 90 days.

Prices

Rates should be quoted in the given "PRICE BID" format only. **The format of PRICE BID should not be changed/altered.**

All prices must be quoted F.O.B HMT Ltd, ABD, Jalahalli, Bangalore.

The Bidder/supplier shall arrange for the TRANSIT INSURANCE of the goods being supplied. Till the goods are delivered and accepted by HMT Ltd, ABD, all risk is to be covered by the supplier.

Taxes

The bidder should have valid GST number.

The Bidder/Supplier should clearly mention the applicable taxes separately if any.

The Bidder/Supplier should clearly mention the GST Number of both supplier and the purchaser in the invoice.

The Bidder/Supplier should confirm to pay the GST in time and intimate HMT Ltd, ABD regarding the same.

HMT Ltd, Auxiliary Business Division, Bangalore reserves the right to take suitable action, including black listing of the vendors in case of delayed payment of GST or nonpayment of GST pertaining to the supply against this tender.

Purchase order

HMT Ltd, ABD will release the purchase order to the successful bidder.

Delivery Schedule

The successful bidder shall submit Samples for approval before taking up production/bulk supply. HMT Ltd, ABD shall request for staggered delivery of goods on need basis. The successful bidder shall supply the items on or before 30 days from the date of confirmation by HMT Ltd, ABD. The bidder shall agree and deliver the goods only as per the instructions by HMT Ltd, ABD.

In case of non delivery within the stipulated schedule, HMT Ltd, ABD reserves the right to apply LD clause and levy LD penalty up to 0.5% of the tender value per week subject to a maximum value of 5% and take suitable actions to cancel/terminate the order.

Delivery Instructions

The successful bidder shall intimate HMT Ltd, ABD upon completion of production for pre delivery inspection (PDI). Dispatch of the goods to HMT Ltd, ABD shall be done only after successful PDI. In house inspection reports shall be sent along with material.

The successful bidder shall supply the goods as per the delivery schedule to stores, HMT Ltd, ABD, Bangalore and obtain a receipt/acknowledgement for the same. The same should be attached with invoice to claim for the payment.

Payment Terms

Payment for the Supply of Goods and Services shall be made in Indian Rupees against delivery and acceptance of the Goods by HMT Ltd, ABD.

Payment shall be released within 30 days on receipt of the invoice in Triplicate subjected to quality check and acceptance of the same by the HMT Ltd, ABD.

Note: During Inspection if any Item/Lot got rejected, costs (Transportation) incurring towards replacing with good items shall be borne by the bidder.

Warranty

The goods supplied shall be covered by a warranty of one year (12 months) against materials and manufacturing defect.

Deputy Engineer (MM)

SIGNATURE OF THE TENDERER WITH SEAL

DATE:

Technical Specifications

Supply of Watch Case Assembly for the Following Models:

Sl.No	Description	Drawing No.
1.	Watch case assembly for Sougandh IPS	ABD-SK-A-0107
2.	Watch case assembly for Sougandh IPG	
3.	Watch case assembly for Sougandh IPB	
4.	Back Cover	RD-SK-A-2000

If required samples may be collected from HMT Ltd., ABD, Jalahalli, Bengaluru – 560013

Deputy Engineer (MM)

SIGNATURE OF THE TENDERER WITH SEAL
DATE:

HMT Limited,
Auxiliary Business Division,
Jalahalli,
Bangalore- 560 013
(To be submitted on the letter head of the bidder firm)

Section 4: PRICE BID

NIT REF.NO.: HMTL/ABDB/PUR/CASE/22/2021-22

Date:07.12.2021

**NAME OF TENDER: Supply of Watch case assembly for the following models
(As per Section 4, enclosed Specifications/ Drawings).**

Please quote your competitive offer for the following items

Sl. No	Description of Items	Qty in Nos	Price/ Unit in Rs. Ps	Amount for Total Qty in Rs. Ps
1.	Watch case assembly for Sougandh IPS	500		
2.	Watch case assembly for Sougandh IPG	500		
3.	Watch case assembly for Sougandh IPB	500		
Total Rs				
GST @ _____%				
Total Amount including GST in Rs. Ps				

Amount in Words including GST Rs

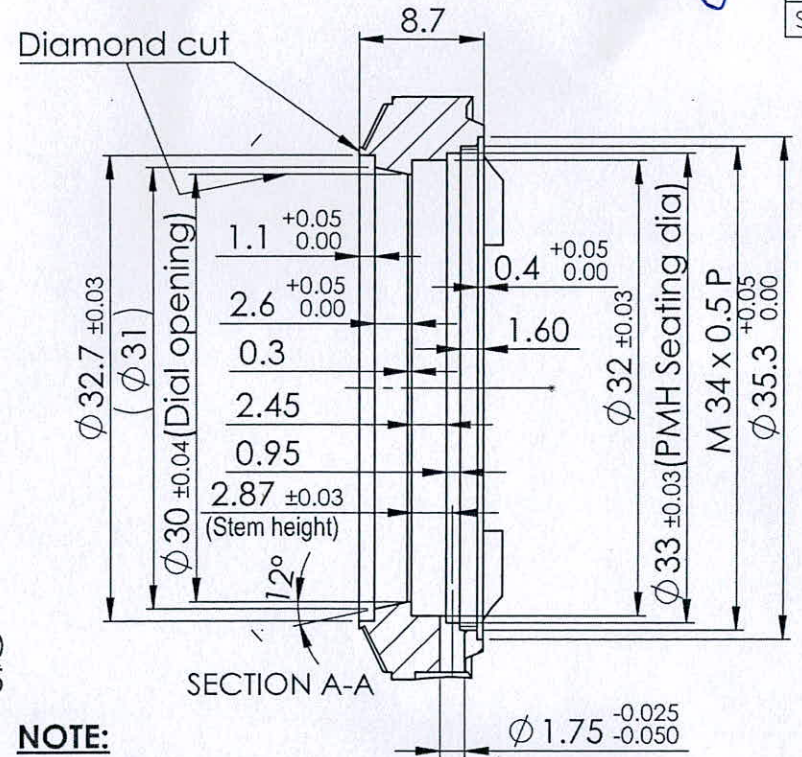
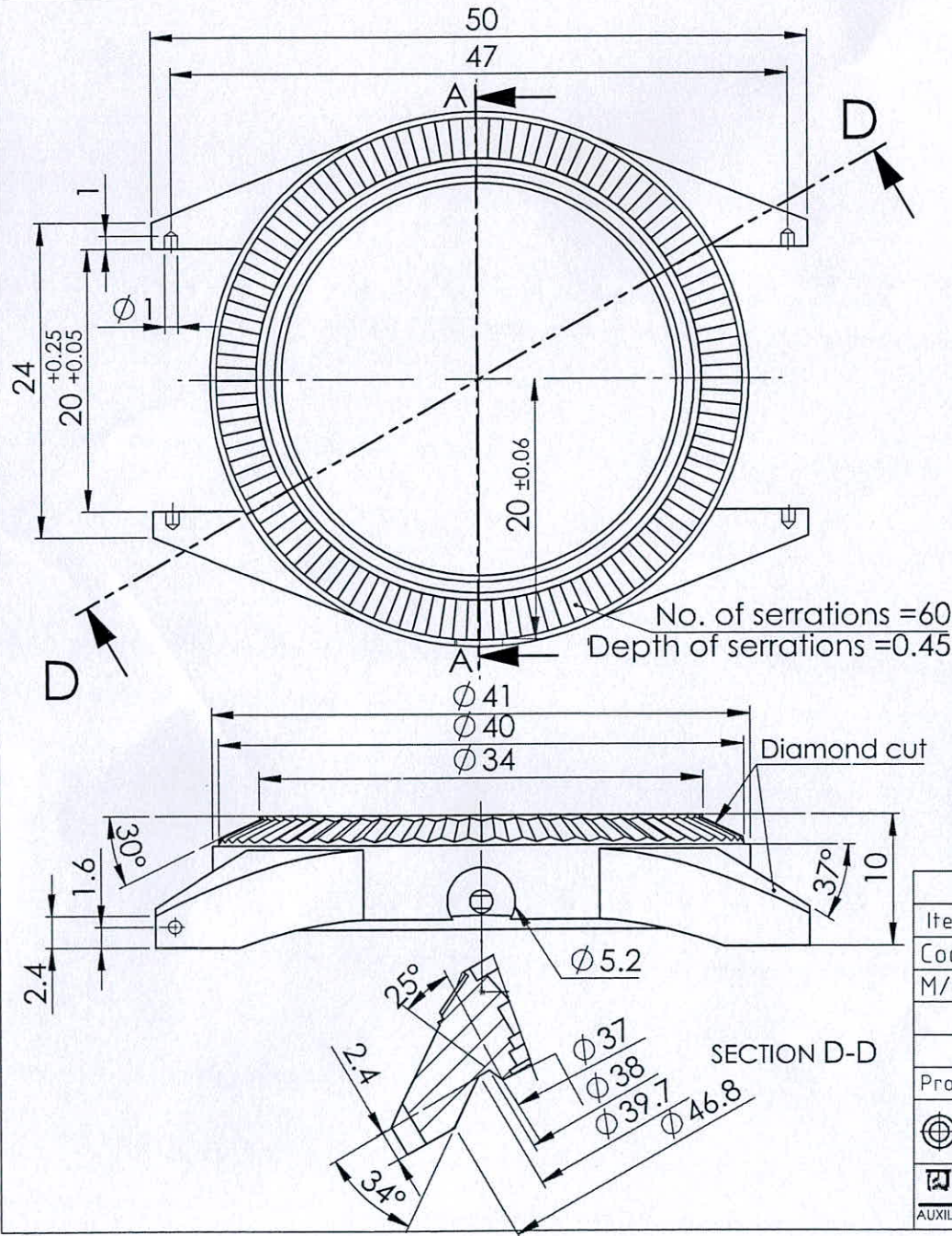
.....

Note:

- 1. The price quoted shall be inclusive of all i.e. Supply, packing and transportation to Auxiliary Business Division , HMT Ltd, Jalahalli, Bangalore – 5600113.**
2. Bidders have to quote for all the items. Lowest bidder will be arrived based on overall quoted price.
3. The Bidder has to quote the financial figures strictly as per the above format.
4. The price quoted is subjected to Arithmetic Check
5. In the event of tie of the quoted price between bidders agency shall be finalized by negotiation amongst lowest bidders.

Deputy Engineer (MM)

SIGNATURE OF THE TENDERER WITH SEAL
DATE:



- NOTE:**
1. All over buffed finish.
 2. Mineral glass(Toughend) & MGG to suit bezel.
 3. Bezel to suit Cal 8205 movement of HMT/Miyota.
 4. Water resistant up to 3 ATM.
 5. IPG/IPS/IPB/IPRG coating as per requirement,HMT std ref.LW 6 924.

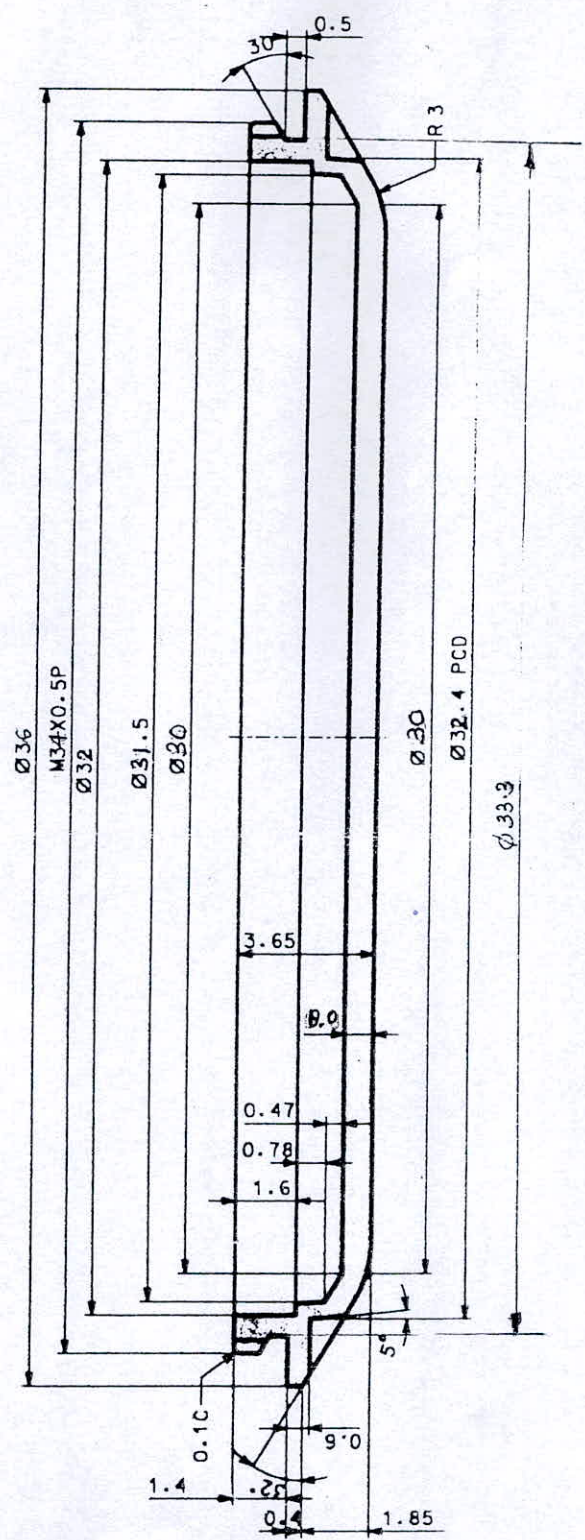
Item	Description	Material	Material Size	Qty	Next Assy	Remarks
		Brass				
Code No.	Alterations:			UNITS	Gen Tol	
M/c.				DIM	TOL	Linear Angular
				mm	mm	± 0.05 —
Projection	Scale			Name	Date	
	2:1			Drawn	Girish 02.12.2021	
				Checked		
				Approved		
	Title:	BEZEL (SOUGANDH)			Dwg. No.	Altn. Index
AUXILIARY BUSINESS DIVISION				ABD-SK-A-0107		

Property of this firm. Without our written consent they may not be copied or reproduced or made known to third parties.

HMT LIMITED, WATCH FACTORY I & II, BANGALORE-560 031



Reference :
Page-10



Prepared
 Checked
 Approved *[Signature]*
 Date : 18/4/07

Alterations
 M34. BACK COVER.

Replacement for

RD-SK-A-2000.
 Altn. Index.